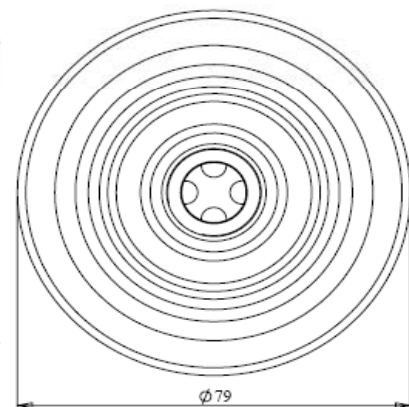
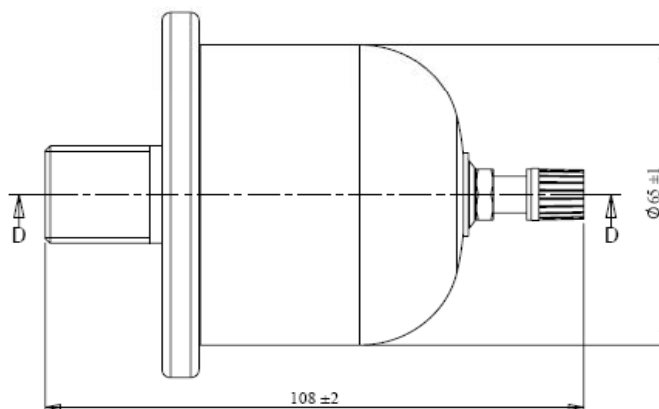
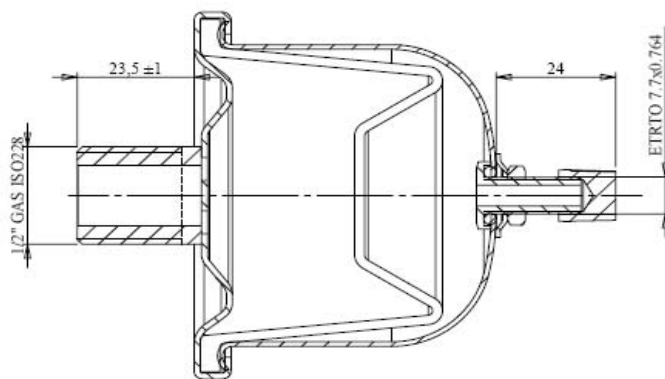


## Data Sheet

Code: 39 83 11 102



For Hot sanitary systems				
Model	3983 11 102			
Technical features				
volume		0,16L		
connector		1/2" GAS (ISO 228)		
Working temperature	TS	-10 - +99°C		
Max Pressure	PS	15 BAR		
Test pressure	PT	22,5BAR		
Precharged pressure		3,5 BAR		
Fluid		Air + water		
Packaging				
		A	B	H
dimensions mm.		456	366	225
Volume M3		0,04		
Weight (kg)		0,3		
Qty pr box		40		
Qty pr pallet		1400		
Materials				
Membrane rubber		Rubber for potable water		
Coverflange material		INOX AIS1304		